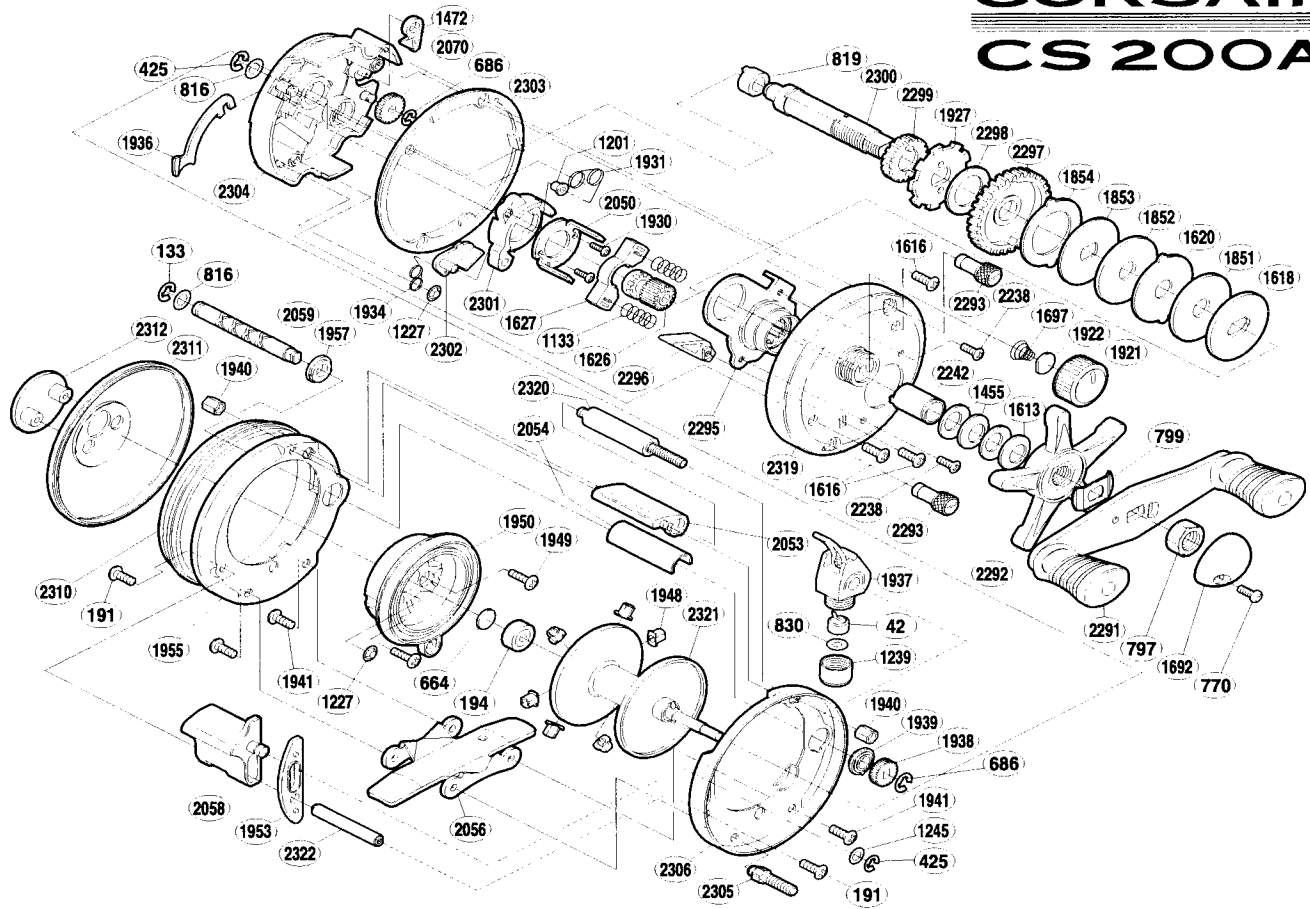


CORSAIR CS 200A



Part No.	Description
BNT0042	Line Guide Pawl
BNT0133	iEi Lock
BNT0191	Clutch Bar Support Screw
BNT0194	Ball Bearing
BNT0425	iEi Lock
BNT0664	Spacer B
BNT0686	iEi Lock
BNT0770	Handle Nut Plate Screw
BNT0797	Handle Nut
BNT0799	Friction Washer
BNT0816	Shaft Washer
BNT0819	Drive Shaft Bushing
BNT0830	Spacer (optional)
BNT1133	Yoke Spring
BNT1201	Retractor Spring Collar
BNT1227	Push Nut (SPN-2)
BNT1239	Pawl Cap
BNT1245	Clutch Bar Support Spacer
BNT1455	Drag Spring Washer (H)
BNT1472	Anti-Reverse Pawl
BNT1613	Drag Spring Washer (L)
BNT1616	Right Side Plate Screw
BNT1618	Key Washer (C)
BNT1620	Eared Washer
BNT1626	Pinion Gear
BNT1627	Yoke
BNT1692	Handle Nut Plate

Part No.	Description
BNT1697	Spool Tension Spring
BNT1851	Drag Washer (C)
BNT1852	Drag Washer (B-2)
BNT1853	Key Washer (A)
BNT1854	Eared Washer (B-1)
BNT1921	Cast Control Cap
BNT1922	Cast Control Spacer
BNT1927	Anti-Reverse Ratchet
BNT1930	Clutch Cam Screw
BNT1931	Retractor Spring
BNT1934	Clutch Pawl Spring
BNT1936	Clutch Plate
BNT1937	Line Guide Assembly
BNT1938	Idle Gear (C)
BNT1939	Worm Bushing (A)
BNT1940	Frame Nut
BNT1941	Stand Screw
BNT1948	Brake Collar
BNT1949	Left Side Plate Screw
BNT1950	Brake Case
BNT1953	Clutch Bar Guide
BNT1955	Left Side Frame
BNT1957	Worm Bushing (B)
BNT2050	Clutch Cam Retainer
BNT2053	Thumb Rest
BNT2054	Level Wind Guard
BNT2056	Stand

Part No.	Description
BNT2058	Quick-Fire II Clutch Bar
BNT2059	Worm Shaft
BNT2070	Idle Gear (B)
BNT2238	Bush Plate Screw
BNT2242	Roller Clutch Inner Tube
BNT2291	Handle Assembly
BNT2292	Star Drag
BNT2293	Right Side Plate Nut
BNT2295	Roller Clutch Assembly
BNT2296	Return Pin Guide
BNT2297	Drive Gear
BNT2298	Drive Shaft Washer (B)
BNT2299	Idle Gear (A)
BNT2300	Drive Shaft
BNT2301	Clutch Cam
BNT2302	Clutch Pawl
BNT2303	A-Side Seal
BNT2304	Set Plate
BNT2305	Stand Bolt
BNT2306	Right Side Frame
BNT2310	B-Side Seal
BNT2311	Left Side Plate
BNT2312	Left Side I.D. Plate
BNT2319	Right Side Plate
BNT2320	Frame Bar
BNT2321	Spool Assembly
BNT2322	Clutch Bar Support