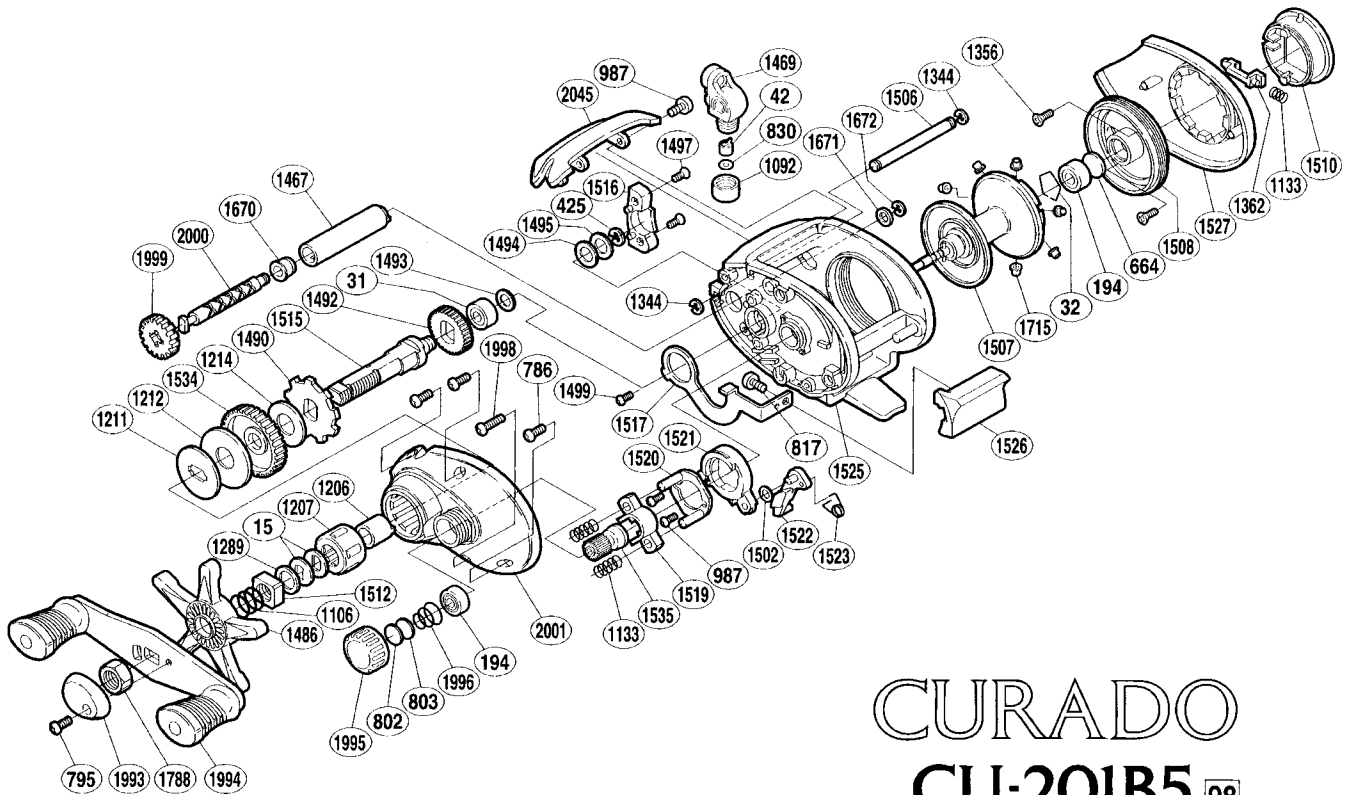


SHIMANO™

1999 Repair Supplement



CURADO CU-201B5 98

98' CU201B5

Part #	Description
BNT0015	Drag Spring Washer
BNT0031	Ball Bearing
BNT0032	Bearing Retainer
BNT0042	Line Guide Pawl
BNT0194	Ball Bearing
BNT0425	"E" Lock
BNT0664	Space (B)
BNT0796	Side Plate Screw (short)
BNT0795	Handle Nut Plate Screw
BNT0802	Spool Tension Spacer (B)
BNT0803	Spool Tension Spacer (A)
BNT0817	Clutch Bar Screw
BNT0830	Spacer (optional)
BNT0987	Multi-Purpose Screw
BNT1092	Pawl Cap
BNT1106	Star Drag Spring
BNT1133	Yoke/Tumkey Pawl Spring
BNT1206	Roller Clutch Inner Tube
BNT1207	Roller Clutch Bearing
BNT1211	Key Washer
BNT1212	Drag Washer (C)
BNT1214	Drag Washer (A)
BNT1289	Star Drag Spacer

Part #	Description
BNT1344	"C" Lock
BNT1356	Brake Case Retainer Screw
BNT1357	Brake Case
BNT1362	Tumkey Pawl
BNT1467	Level Wind Guard
BNT1469	Line Guide
BNT1486	Star Drag
BNT1490	Anti-Reverse Ratchet
BNT1492	Idle Gear (A)
BNT1493	Drive Gear Washer
BNT1494	Drive Shaft Washer (B)
BNT1495	Drive Shaft Washer (A)
BNT1497	Drive Shaft Cover Screw
BNT1499	Clutch Plate Screw
BNT1502	Spacer (optional)
BNT1506	Line Guard
BNT1507	Spool Assembly
BNT1508	Brake Case
BNT1510	Tumkey Dial
BNT1512	Star Drag Nut
BNT1515	Drive Shaft
BNT1516	Drive Shaft Cover
BNT1517	Clutch Plate
BNT1519	Yoke

Part #	Description
BNT1520	Clutch Cam Retainer
BNT1521	Clutch Cam
BNT1522	Clutch Pawl
BNT1523	Clutch Pawl Spring
BNT1525	One-Piece Frame
BNT1526	Quick-Fire II Clutch Bar
BNT1527	Right Side Plate
BNT1534	Drive Gear
BNT1535	Pinion Gear
BNT1670	Worm Bushing
BNT1671	Worm Shaft Washer (B)
BNT1672	"E" Lock
BNT1715	Brake Collar (red)
BNT1788	Handle Nut
BNT1993	Handle Nut Plate Assembly
BNT1994	Handle Assembly
BNT1995	Cast Control Assembly
BNT1996	Spool Tension Spring
BNT1998	Side Plate Screw (long)
BNT1999	Idle Gear (C)
BNT2000	Worm Shaft
BNT2001	Left Side Plate
BNT2045	Thumb Rest