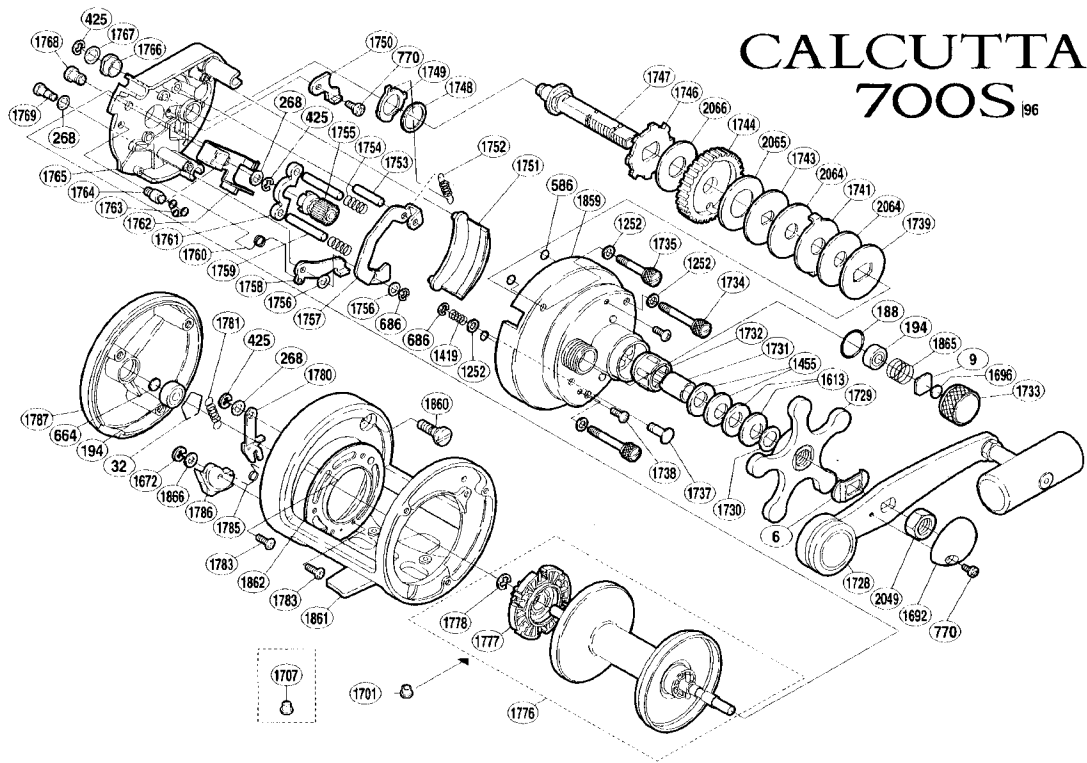


SHIMANO™

1999 Repair Supplement



98' CT700S

Part #	Description	Part #	Description	Part #	Description
BNT0006	Friction Washer	BNT1737	Pressure Rivet	BNT1767	Drive Shaft Washer
BNT0009	Cast Control Spacer (A)	BNT1738	Set Plate (A) Screw	BNT1768	Clutch Button Guide Pin
BNT0032	Bearing Retainer	BNT1739	Key Washer	BNT1769	Clutch Pawl Pin
BNT0188	"O" Ring	BNT1741	Eared Washer (C)	BNT1776	Spool Assembly
BNT0194	Ball Bearing	BNT1743	Key Washer (E)	BNT1777	Click Gear Assembly
BNT0268	Washer	BNT1744	Drive Gear	BNT1778	"E" Lock
BNT0425	"E" Lock	BNT1746	Anti-Reverse Ratchet	BNT1780	Click Pawl
BNT0586	Bolt Retainer	BNT1747	Drive Shaft	BNT1781	Click Spring
BNT0664	Spacer (B)	BNT1748	Retraction Cam Washer	BNT1783	Left Side Plate Screw
BNT0686	"E" Lock	BNT1749	Retraction Cam	BNT1785	Click Switch Spring
BNT0770	Handle Nut Plate Screw	BNT1750	Cam Backing Plate	BNT1786	Click Switch
BNT1252	Right Side Plate Bolt Washer	BNT1751	Plastic Gear Plate	BNT1787	Left Side Plate
BNT1419	Spring	BNT1752	Clutch Retractor Spring	BNT1859	Right Side Plate
BNT1455	Drag Spring Washer (H)	BNT1753	Pivot Pin	BNT1860	Left Side Plate Bolt
BNT1613	Drag Spring Washer (L)	BNT1754	Yoke Spring	BNT1861	One-Piece Frame
BNT1672	"E" Lock	BNT1755	Pinion Gear	BNT1862	Set Plate (B)
BNT1692	Handle Nut Plate	BNT1756	Clutch Spacer	BNT1865	Spool Tension Spring
BNT1696	Cast Control Spacer (B)	BNT1757	Clutch Plate	BNT1866	Spacer
BNT1701	Brake Collar (gray)	BNT1758	Clutch Pawl	BNT2049	Handle Nut
BNT1728	Handle Assembly	BNT1759	Yoke Pin	BNT2064	Drag Washer (B)
BNT1729	Star Drag	BNT1760	Clutch Pawl Spring	BNT2065	Drag Washer (F)
BNT1730	Star Drag Washer	BNT1761	Yoke	BNT2066	Drag Washer (G)
BNT1731	Roller Clutch Inner Tube	BNT1762	Clutch Button		
BNT1732	Roller Clutch Bearing	BNT1763	Retractor Spring		
BNT1733	Cast Control Cap	BNT1764	Retractor Spring Pin		
BNT1734	Right Side Plate Bolt (A)	BNT1765	Set Plate (A)		
BNT1736	Right Side Plate Bolt (B)	BNT1766	Drive Shaft Bushing	BNT1707	Brake Collar (clear)