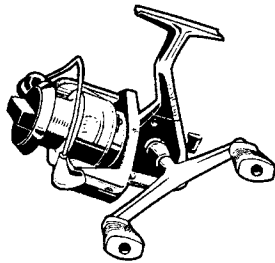
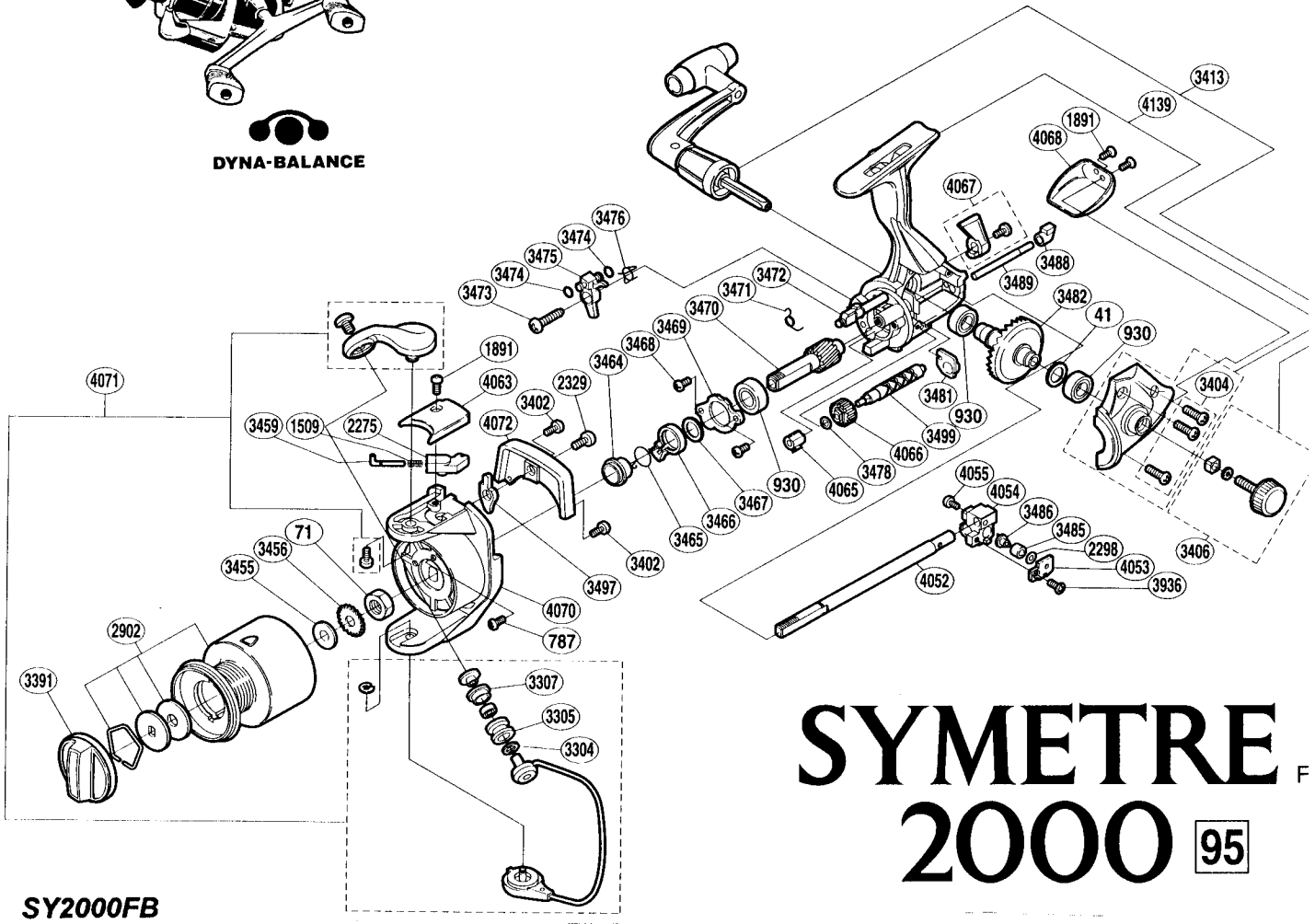


Exploded View



DYNA-BALANCE



SYMETRE^F 2000 95

SY2000FB

Part #	Description	Part #	Description	Part #	Description
RD 0041	Drive Gear Washer	RD 3459	Bail Spring Guide (A)	RD 3489	Oscillating Guide
RD 0071	Rotor Nut	RD 3464	Lock Out Spring Holder	RD 3497	Bail Trip Lever
RD 0787	Nut Lock Screw	RD 3465	Anti-Reverse Lock Out Spring	RD 3499	Worm Shaft
RD 0930	Ball Bearing	RD 3466	Anti-Reverse Lock Out	RD 3936	Oscillating Pawl Cover Scre
RD 1509	Bail Spring	RD 3467	Bushing Washer	RD 4052	Main Shaft
RD 1891	Multi Purpose Screw	RD 3468	Bearing Retainer Screw	RD 4053	Oscillating Pawl Cover
RD 2275	Bail Spring Guide (B)	RD 3469	Bearing Retainer	RD 4054	Oscillating Slider
RD 2298	Spacer	RD 3470	Pinion Gear	RD 4055	Slider Retainer Screw
RD 2329	Bail Trip Lever Screw	RD 3471	Anti-Reverse Cam Spring	RD 4063	Bail Spring Cover
RD 2902	Spool Assembly	RD 3472	Anti-Reverse Cam	RD 4065	Worm Bearing
RD 3304	Bearing Spacer	RD 3473	Anti-Reverse Pawl Screw	RD 4066	Idle Gear
RD 3305	SIC Ceramic Roller	RD 3474	"O" Ring	RD 4067	Anti-Reverse Lever Assemb
RD 3307	Line Roller Bushing	RD 3475	Anti-Reverse Pawl	RD 4068	Rear Protector
RD 3391	Drag Knob	RD 3476	Anti-Reverse Pawl Spring	RD 4070	Rotor
RD 3402	Cover Screw	RD 3478	Worm Shaft Spacer	RD 4071	Bail Assembly
RD 3404	Side Cover Screws	RD 3481	Bushing	RD 4072	Counterbalance Cover
RD 3406	Handle Screw Cap Assembly	RD 3482	Drive Gear	RD 4139	Body Assembly
RD 3413	Handle Assembly	RD 3485	Oscillating Slider Bushing		
RD 3455	Spool Washer	RD 3486	Oscillating Pawl		
RD 3456	Spool Support	RD 3488	Oscillating Guide Holder		