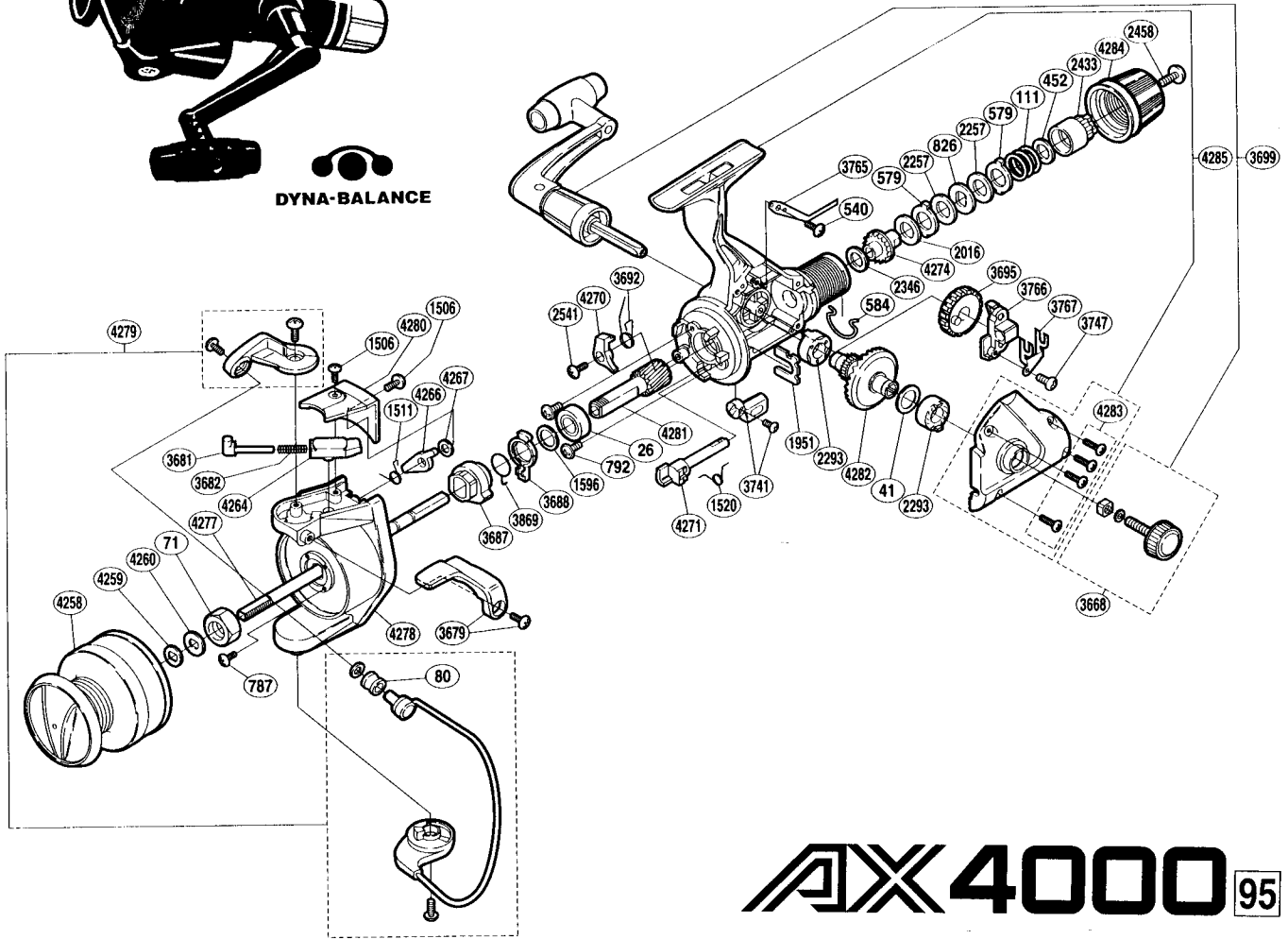




DYNA-BALANCE



AX4000 95

AX4000

Part #	Description	Part #	Description	Part #	Description
RD 0026	Ball Bearing	RD 2293	Drive Gear Bushing	RD 3869	Anti-Reverse Lock Out Spring
RD 0041	Drive Gear Washer	RD 2346	Drag Washer "C" (cloth)	RD 4258	Spool Assembly
RD 0071	Rotor Nut	RD 2433	Pressure Screw	RD 4259	Spool Washer
RD 0080	Line Roller	RD 2458	Drag Knob Screw	RD 4260	Spool Support
RD 0111	Drag Coil Spring	RD 2541	Anti-Reverse Pawl Screw	RD 4264	Bail Spring Guide (B)
RD 0452	Drag Spring Washer	RD 3668	Handle Screw Cap Assembly	RD 4266	Bail Trip Lever
RD 0540	Drag Click Screw	RD 3679	Quick Fire II Trigger Assembly	RD 4267	Bail Trip Lever Washer
RD 0579	Eared Washer "B"	RD 3681	Bail Spring Guide (A)	RD 4270	Anti-Reverse Pawl
RD 0584	Hold Click Spring	RD 3682	Bail Spring	RD 4271	Anti-Reverse Cam
RD 0787	Nut Lock Screw	RD 3687	Anti-Reverse Ratchet	RD 4274	Drag Shaft
RD 0792	Bearing Retainer Screw	RD 3688	Anti-Reverse Lock Out	RD 4277	Main Shaft
RD 0826	Key Washer "A"	RD 3692	Anti-Reverse Pawl Spring	RD 4278	Rotor
RD 1506	Bail Spring Cover Screw	RD 3695	Oscillating Gear	RD 4279	Bail Assembly
RD 1511	Lever Spring	RD 3699	Handle Assembly	RD 4280	Bail Spring Cover
RD 1520	Anti-Reverse Cam Spring	RD 3741	Anti-Reverse Lever Assembly	RD 4281	Pinion Gear
RD 1596	Bushing Washer	RD 3747	Slider Retainer Screw	RD 4282	Drive Gear
RD 1951	Rotor Lock	RD 3765	Drag Click	RD 4283	Side Cover Screws
RD 2016	Drag Washer "H" (cloth)	RD 3766	Oscillating Slider	RD 4284	Drag Knob Assembly
RD 2257	Drag Washer "H" (blue)	RD 3767	Oscillating Slider Retainer	RD 4285	Body Assembly