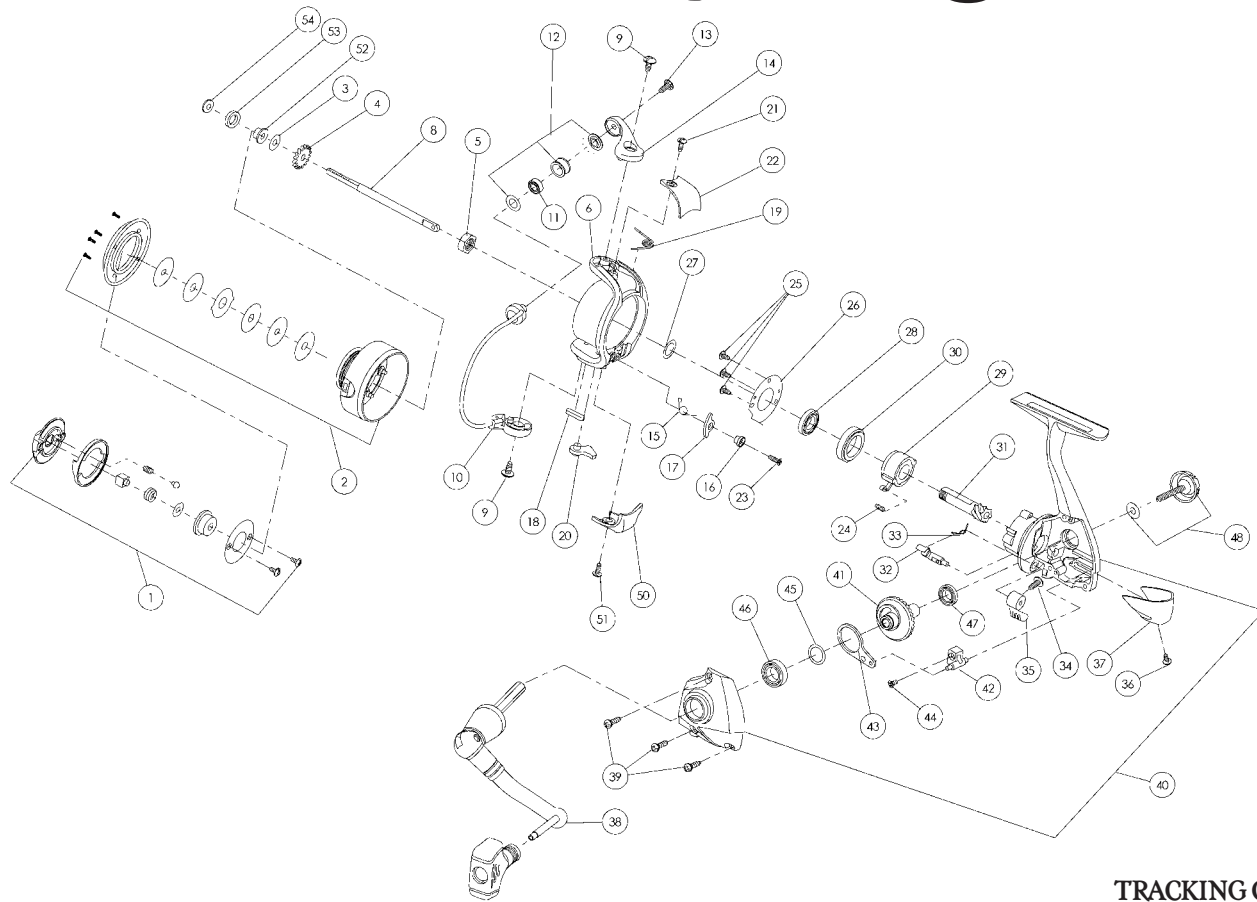


PARTS LIST

RAP SX5iULTM Spinning Reel



TRACKING CODE **J1**

KEY PART NAME

1	Drag Knob
2	Spool
3	Spool Washer
4	Spool Click Gear
5	Rotor Nut
6	Rotor
8	Main Shaft
9	Bail Screw
10	Bail Assembly
11	Line Roller Bearing
12	Line Roller Assembly
13	Line Roller Screw
14	Bail Arm
15	Bail Trip Cam Spring
16	Bail Trip Cam Spacer
17	Bail Trip Cam
18	Bail Trip Pivot Arm
19	Bail Spring

KEY PART NAME

20	Bail Trip Lever
21	Rotor Cover A Screw
22	Rotor Cover A
23	Bail Trip Cam Screw
24	Anti-Reverse Tension Spring
25	Bearing Cover Retainer Screw
26	Bearing Cover
27	Pinion Bearing Washer
28	Pinion Bearing
29	Anti-Reverse Bearing Assembly
30	Bearing Sleeve
31	Pinion Gear
32	Anti-Reverse Cam
33	Anti-Reverse Spring
34	Anti-Reverse Switch Screw
35	Anti-Reverse Switch
36	Body Cap Screw
37	Body Cap

KEY PART NAME

38	Handle Assembly
39	Side Cover Screw
40	Body Assembly
41	Drive Gear
42	Oscillation Slide
43	Oscillation Arm
44	Oscillation Slide Screw
45	Drive Gear Washer
46	Left Drive Gear Bearing
47	Right Drive Gear Bearing
48	Dust Cap Assembly
50	Rotor Cover B
51	Rotor Cover B Screw
52	Spool Bearing Retainer
53	Spool Bearing
54	Spool Bearing Washer

To Order Replacement Parts

Locate the part(s) you need from the diagram above. Use the key to identify the part number and part name. When ordering part(s), be sure to include the Rapala reel model name, the part number, the part name, quantity required and the tracking code.

Order parts from: Nutter Rod and Reel Service • 3383 Hwy. 411 NE • White, GA 30184-2432 • Phone (770) 386-3978 • Fax (877) 475-4611

RAPALA[®]

Premium Fishing Reels. • Crafted from Experience.[™]